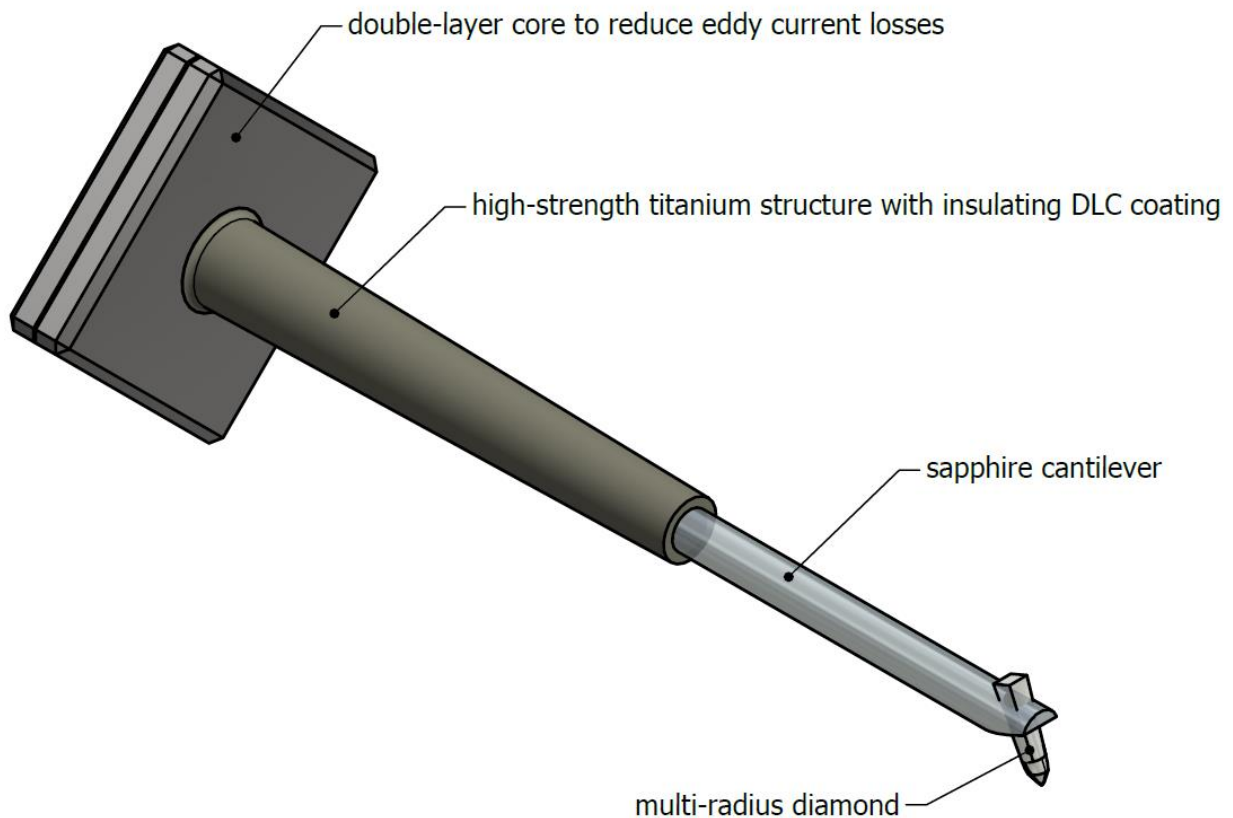


EMT Novel Technology

Most modern research processes in micromechanics and material-science allow us to constantly go one step further in vinyl playback technology. Six years ago, we started analysing the characteristics of the traditional moving-coil transducer and have been working since on improving its mechanical and magnetic behaviour.

As a result, we hereby introduce our new multi-layer core transducer with titanium/sapphire cantilever. Incredible realistic performance is achieved, while at the same time the tried and trusted EMT typical specs are respected.



Advanced manual skills are required to produce and assemble such a miracle of micro-technology. Our fabulous team are well educated, and we take care to provide them with a tranquil and pleasant working environment.